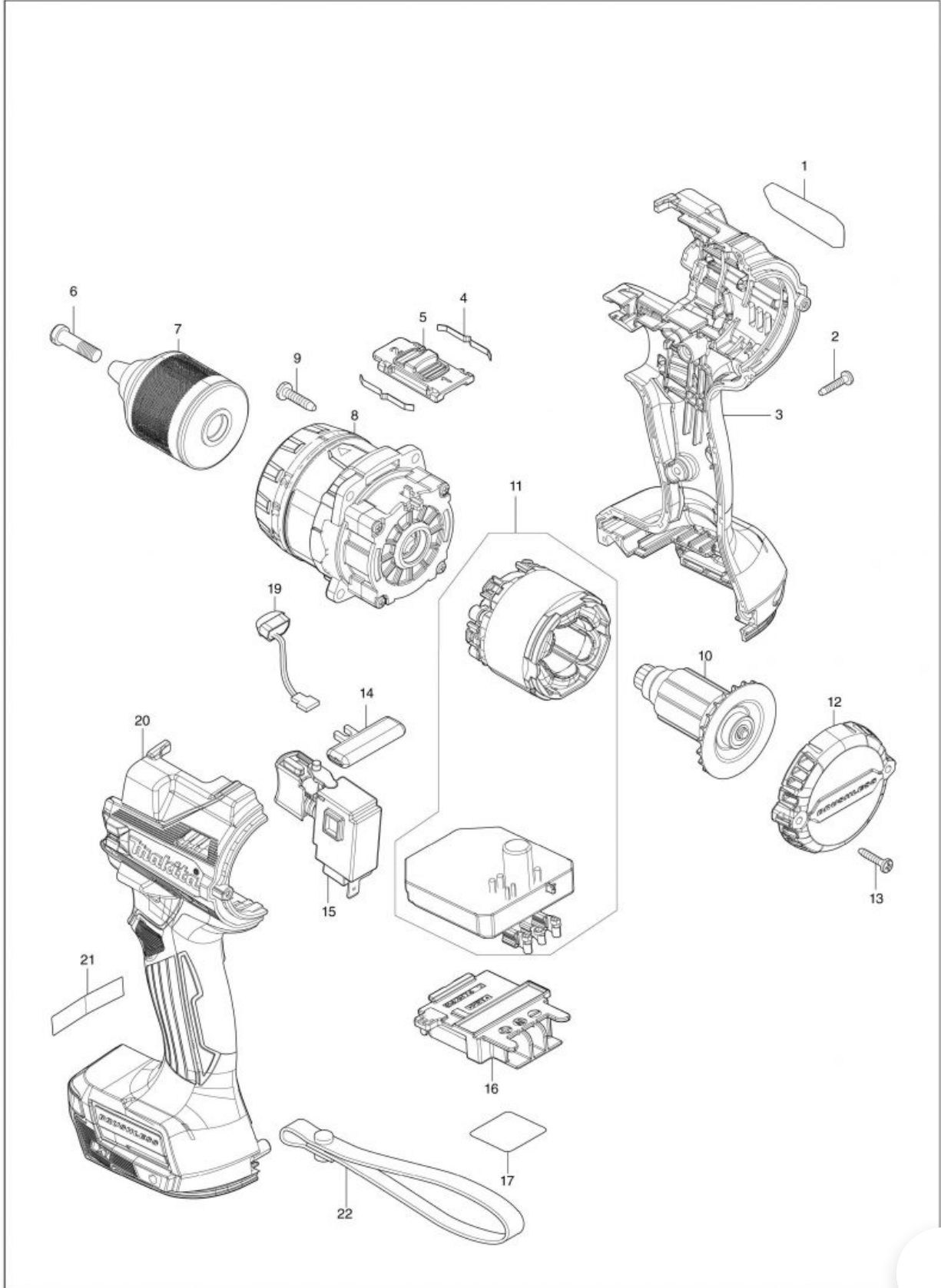


Part Diagram

(MY) DDF486 / CORDLESS HAMMER DRIVER DRILL



Item	Sub	Parts No.	Parts Description	Qty
001		811B51-8	DDF486 NAME PLATE	1
002		266130-9	TAPPING SCREW BIND PT 3X16	7
003		183R83-4	HOUSING SET	1
	C10	263005-3	RUBBER PIN 6	2
	C20	252126-6	HEX. LOCK NUT M4-7	2
	D10		INC. 20	
004		232220-0	LEAF SPRING	2
005		127494-5	SPEED CHANGE LEVER ASSEMBLY	1
	C10	233438-6	COMPRESSION SPRING 4	2
006		251468-5	- FLAT HEAD SCREW M6X22	1
007		763252-1	KEYLESS DRILL CHUCK 13	1
008		127699-7	GEAR ASSEMBLY	1
008-1		122B69-7	GEAR ASSEMBLY	1
009		266326-2	TAPPING SCREW 4X18	4
010		619656-4	ROTOR	1
011		629A33-8	STATOR COMPLETE	1
011-1		629B79-0	STATOR COMPLETE	1
011-2		629C05-5	STATOR COMPLETE	1
012		413405-9	REAR COVER	1
013		266130-9	TAPPING SCREW BIND PT 3X16	2
014		419041-9	F/R CHANGE LEVER	1
015		651443-5	SWITCH C3JR-4B	1
016		643874-2	TERMINAL	1
017		811B59-2	DDF486 SERIAL NO. LABEL	1
019		620549-0	LED CIRCUIT	1
020		183R83-4	HOUSING SET	1
	C10	263005-3	RUBBER PIN 6	2
	C20	252126-6	HEX. LOCK NUT M4-7	2
	D10		INC. 3	
A01		127702-4	GRIP ASSEMBLY	1
	C10	140U91-6	POLE COMPLETE	1
	C20	140X19-2	ARM R COMPLETE	1
	C30	266886-4	HEX. BOLT M8X65	1
	C40	312A63-3	ARM L	1
	C50	962055-2	RETAINING RING (INT) R-15	1
A01-1		122C02-5	GRIP ASSEMBLY	1
	C10	140U91-6	POLE COMPLETE	1
	C20	140X19-2	ARM R COMPLETE	1
	C30	266886-4	HEX. BOLT M8X65	1
	C40	312C73-2	ARM L	1
	C50	962055-2	RETAINING RING (INT) R-15	1
A02		251314-2	+ SCREW M4X12	2
A03		346317-0	HOOK	1
A04		452947-8	BIT HOLDER	1
A05		784637-8	+/- BIT 2-45	2
A06B		821524-1	PLASTIC CARRYING CASE	1
	C10	162302-3	LATCH	2
	C20	325809-2	SHAFT	1
	C30	451749-9	HANDLE	1
	C40	453473-0	PLASTIC CASE LID	1
A10B		450128-8	BATTERY COVER	1
A11B		***DC18RC	DC18RC FAST CHARGER	1
	D10		COMPO-PARTS	
A12B		197280-8	BATTERY BL1850B SET	2